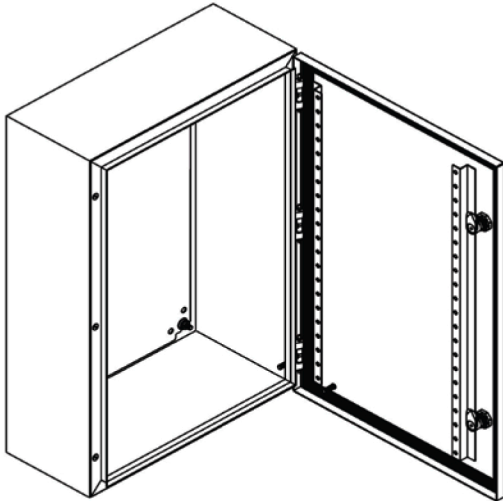


GABINETES INDUSTRIALES G4A - USO INDUSTRIAL

IP 65 / NEMA 4



G4 A

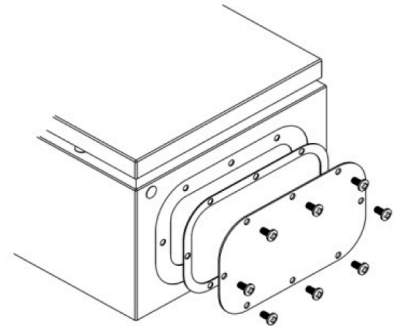
GABINETES TIPO EUROPEO

ACERO DE 1.2 MM (C.18)

PINTURA HORNEADA

CERRADURA METÁLICA

SELLO EXTRUIDO DE POLIURETANO



Gabinete estándar

CLAVE PEDIDO	DIMENSIONES		UNI
	ALTO x ANCHO	FONDO	

G4A 252015	25 x 20 cm	15 cm	Pza
G4A 302012	30 x 20 cm	12 cm	Pza
G4A 302515	30 x 25 cm	15 cm	Pza
G4A 303015	30 x 30 cm	15 cm	Pza
G4A 303020	30 x 30 cm	20 cm	Pza
G4A 304020	30 x 40 cm	20 cm	Pza

G4A 403020	40 x 30 cm	20 cm	Pza
G4A 404020	40 x 40 cm	20 cm	Pza
G4A 504020	50 x 40 cm	20 cm	Pza
G4A 505030	50 x 50 cm	30 cm	Pza

G4A 604025	60 x 40 cm	25 cm	Pza
G4A 606025	60 x 60 cm	25 cm	Pza
G4A 705020	70 x 50 cm	20 cm	Pza
G4A 705025	70 x 50 cm	25 cm	Pza

G4A 806030	80 x 60 cm	30 cm	Pza
G4A 806040	80 x 60 cm	40 cm	Pza

G4A 1008030	100 x 80 cm	30 cm	Pza
G4A 1008040	100 x 80 cm	40 cm	Pza
G4A 1208030	120 x 80 cm	30 cm	Pza
G4A 1208040	120 x 80 cm	40 cm	Pza

Gabinete con tapa atornillada inferior

CLAVE PEDIDO	DIMENSIONES		UNI
	ALTO x ANCHO	FONDO	

G4B 252015	25 x 20 cm	15 cm	Pza
G4B 302012	30 x 20 cm	12 cm	Pza
G4B 302515	30 x 25 cm	15 cm	Pza
G4B 303015	30 x 30 cm	15 cm	Pza
G4B 303020	30 x 30 cm	20 cm	Pza
G4B 304020	30 x 40 cm	20 cm	Pza

G4B 403020	40 x 30 cm	20 cm	Pza
G4B 404020	40 x 40 cm	20 cm	Pza
G4B 504020	50 x 40 cm	20 cm	Pza
G4B 505030	50 x 50 cm	30 cm	Pza

G4B 604025	60 x 40 cm	25 cm	Pza
G4B 606025	60 x 60 cm	25 cm	Pza
G4B 705020	70 x 50 cm	20 cm	Pza
G4B 705025	70 x 50 cm	25 cm	Pza

G4B 806030	80 x 60 cm	30 cm	Pza
G4B 806040	80 x 60 cm	40 cm	Pza

G4B 1008030	100 x 80 cm	30 cm	Pza
G4B 1008040	100 x 80 cm	40 cm	Pza
G4B 1208030	120 x 80 cm	30 cm	Pza
G4B 1208040	120 x 80 cm	40 cm	Pza